

# Exam 3

**P208 Fall 2009,  
Instructor: Prof. Abanov**

**11/09/09**

Name \_\_\_\_\_

Section \_\_\_\_\_

(print)

<b>501 Fuller, Melissa</b>	<b>Tues, 2:20-5:10</b>	<b>516 Li, Feng</b>	<b>Thurs, 8:00-10:50</b>
<b>502 Mahony, James</b>	<b>Tues, 3:55-6:45</b>	<b>517 Amin, Vivek</b>	<b>Thurs, 9:35-12:25</b>
<b>503 Chen, Jason</b>	<b>Tues, 4:55-7:45</b>	<b>518 Chen, Jason</b>	<b>Thurs, 11:10-2:00</b>
<b>504 Ferguson, Jim</b>	<b>Tues, 5:55-8:45</b>	<b>519 Russell, Charles</b>	<b>Thurs, 12:45-3:35</b>
<b>505 Zhang,Xiwen</b>	<b>Tues, 6:55-9:55</b>	<b>520 Zhang,Xiwen</b>	<b>Thurs, 2:20-5:10</b>

Your grade:

**Problem 1.**

Two high current transmission lines carry currents of  $25\text{A}$  and  $75\text{A}$  in the opposite directions. And are suspended parallel to each other  $35\text{cm}$  apart. The vertical posts supporting these wires divide the lines into straight  $20\text{m}$  segments.

**What magnetic force does each segment exert on the other? \_\_\_\_\_**

**Is this force attractive or repulsive? \_\_\_\_\_**

**What would happen to the force if we double each current? \_\_\_\_\_**

## Problem 2.

An electron  $e = 1.6 \times 10^{-19} \text{ C}$  ,  $m_e = 9.1 \times 10^{-31} \text{ kg}$  is accelerated through a potential difference of  $2 \text{ kV}$  . It then passes into magnetic field perpendicular to its path, where it moves in a circular arc of diameter  $0.36 \text{ m}$

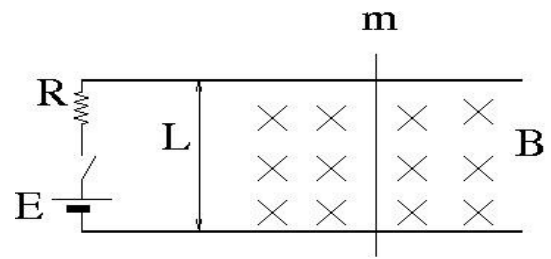
**What is the magnitude of the velocity of the electron in the magnetic field? \_\_\_\_\_**

**What is the magnitude of the magnetic field? \_\_\_\_\_**

**What is the frequency of the electron's motion in the magnetic field? \_\_\_\_\_**

### Problem 3.

A metal bar is at rest on two rails, as shown on the figure.  $E=10\text{V}$  ,  $R=1\Omega$  ,  $L=50\text{cm}$  ,  $B=5\text{T}$  , and  $m=0.5\text{kg}$



What is the current through the bar right after the switch is closed?\_\_\_\_\_

What are the direction and magnitude of the magnetic force initially acting on the bar?  
\_\_\_\_\_

What is the initial acceleration of the bar?\_\_\_\_\_

### Problem 4.

A planar loop of area  $A = 2.2 \text{ m}^2$  carries a current  $I = 3 \text{ A}$ . The magnetic field  $B = 2.2 \text{ T}$  is at an angle  $30^\circ$  with the norm to the loop.

What is magnetic moment of the loop? \_\_\_\_\_

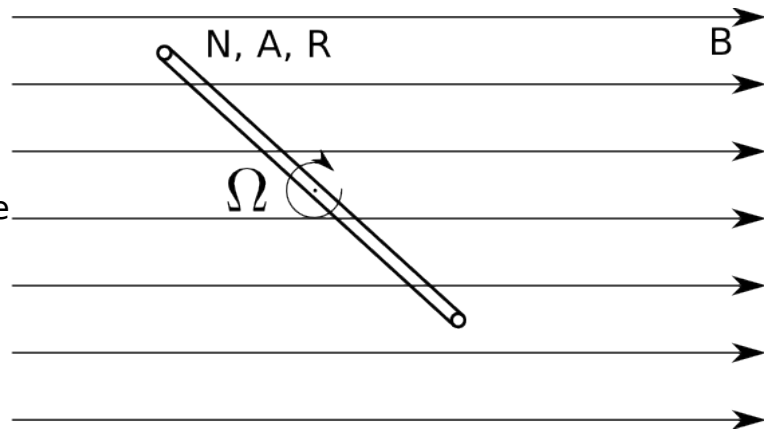
What is the magnetic force acting on the loop? \_\_\_\_\_

What torque should be applied to the loop in order to keep it at rest?  
\_\_\_\_\_

What torque would be needed if the loop had 100 turns? \_\_\_\_\_

### Problem 5.

A planar loop of area  $A$  with  $N$  turns is placed in the uniform magnetic field  $B$ . The resistance of the loop is  $R$ . Initially the plane of the loop is perpendicular to the magnetic field. At time  $t = \bar{x}$  a student starts to rotate the loop with the angular velocity  $\Omega$ .



What is the emf in the loop at arbitrary time  $t$  ? \_\_\_\_\_

What is the current in the loop at arbitrary time  $t$  ? \_\_\_\_\_

What power is being dissipated in the loop at arbitrary time  $t$  ? \_\_\_\_\_

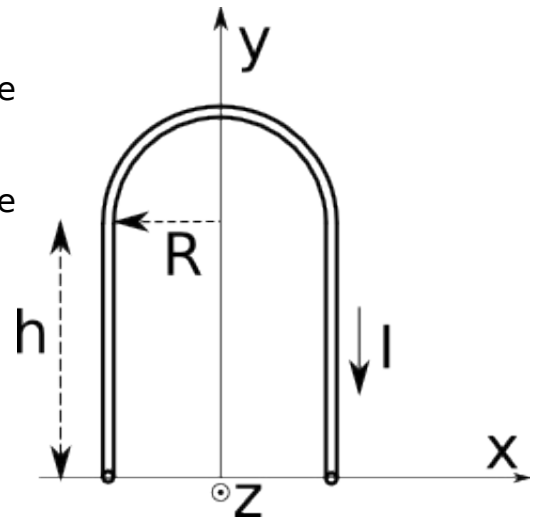
What is the magnetic moment of the loop at arbitrary time  $t$  ? \_\_\_\_\_

What is the torque which the student needs to apply to the keep the constant angular velocity at arbitrary time  $t$  ? \_\_\_\_\_

What power does the student need to supply to the keep the constant angular velocity at arbitrary time  $t$  ? \_\_\_\_\_

### Problem 6.

A wire with a current  $I=2\text{mA}$  is in the  $x-y$  plane and has the form shown in the figure with dimensions  $R=10\text{cm}$  and  $h=10\text{cm}$ . The magnetic field  $B=0.5\text{T}$  is in the  $y-z$  plane at the angle  $\theta=30^\circ$  to the  $z$  axes.

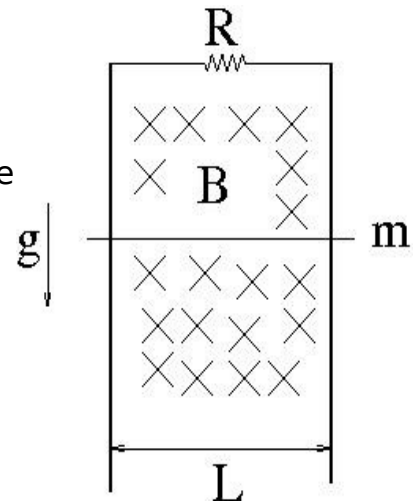


What are the  $x$ ,  $y$  and  $z$  components of the magnetic force acting on the wire? \_\_\_\_\_

What is the torque of the magnetic force with respect to the  $x$  axis?  
\_\_\_\_\_

### Problem 7.

A metal bar of mass  $m=10\text{kg}$  can move along two vertical straight rails which are  $L=1\text{m}$  apart from one another. The total friction force between the bar and the rails is proportional to the velocity  $F_f=kv$ , where  $k=0.25\text{Ns/m}$ . The resistor  $R=3\Omega$  connects the rails. Magnetic field is  $B=0.5\text{T}$ . After a long time the bar falls with constant velocity.



**What is the direction of electric current induced by the motion?(show on the figure)**

**What is the direction of the magnetic force acting on the bar?(show on the figure)**

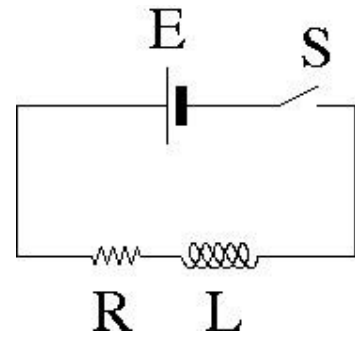
**What is the velocity of the bar? \_\_\_\_\_**

**What will be the velocity if we triple the magnetic field? \_\_\_\_\_**



### Problem 8.

A circuit shown on the figure has  $E=20V$  ,  $R=2k\Omega$  ,  
 $L=10mH$  .



**What is the current right after the switch is closed?**

\_\_\_\_\_

**How fast is the current changing right after the switch is closed?**\_\_\_\_\_

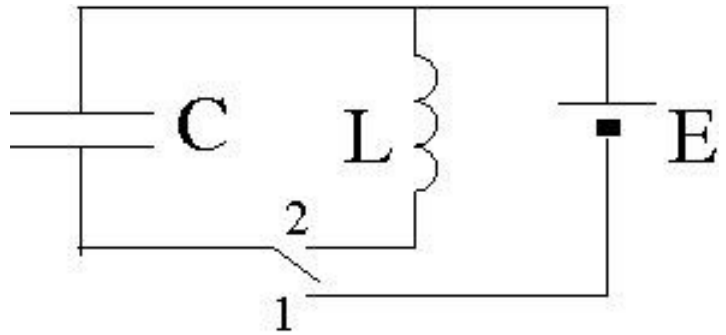
**What is the current a long time after the switch is closed?**\_\_\_\_\_

**What is the time constant of this circuit?**\_\_\_\_\_

### Problem 9.

After the switch had been in the position 1 for a very long time, it was switched to the position 2. If

$C=45\text{mF}$  ,  $L=5\text{mH}$  ,  $E=20\text{V}$  find:



**What is the time derivative of the current right after the switch was switched?\_\_\_\_\_**

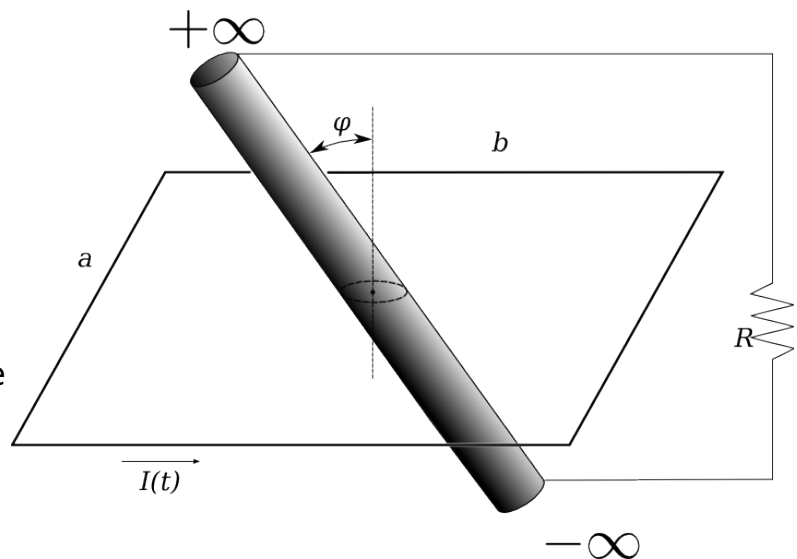
**What is the frequency of oscillation?\_\_\_\_\_**

**What is the amplitude of the current oscillations?\_\_\_\_\_**

**What is the total energy in the system?\_\_\_\_\_**

## Problem 10.

An infinitely long vertical thin solenoid with the cross-section area  $A$  goes at angle  $\phi$  through the center of the rectangular horizontal loop of wire with sides  $a$  and  $b$ . The density of turns in the solenoid is  $n$ . There is a time dependent current  $I(t)$  in the wire loop.



What is the *emf* between the ends of the solenoid? \_\_\_\_\_

How would this *emf* change if we double the side  $a$  ? \_\_\_\_\_

How would this *emf* change if we double the tilt angle  $\phi$  ? \_\_\_\_\_

What charge would go through the resistor  $R$ , if the current in the wire loop was changed from  $I_i$  to  $I_f$  during the experiment? \_\_\_\_\_

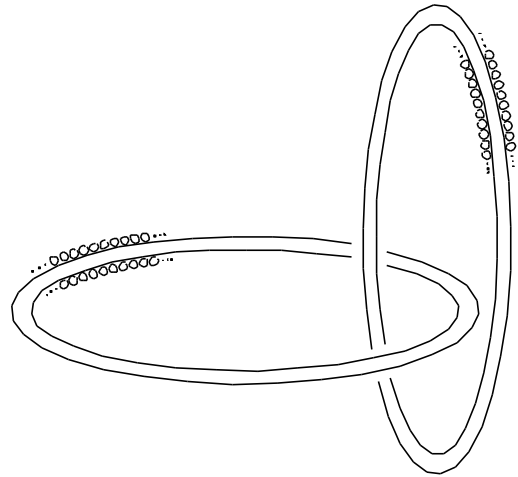
# Extra Problems.

You have until the Final Exam to solve these problems. The first student who solves any gets 10 extra points for this exam. Please, take this sheet with you.

## Extra Problem 1.

Find the mutual inductance of two entangled solenoids (see figure).

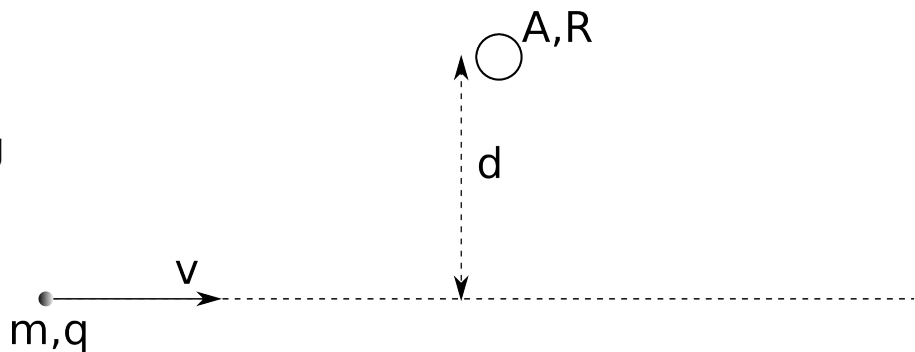
The cross-section areas of the solenoids are  $A_\beta$  and  $A_\alpha$ , and the densities of turns are  $n_\beta$  and  $n_\alpha$ .



## Extra Problem 2.

A particle of charge  $q$  and mass  $m$  is moving with large velocity  $v$  and impact parameter  $d$  with respect to a small planar loop of wire of resistance  $R$ .

The area of the loop is  $A$  and the loop and the vector of velocity  $\vec{v}$  lay in the same plane.



**Find the final velocity of the charge.**

**Find direction of the final velocity.**

**Find the final impact parameter.**